

IR-802T IR Infrared Wireless Tuner / Mixer

- Built-in Feedback Suppression. +
- IR-802T CUAQ for Channel A / B, with Priority Control. +
- IR-802T CU1Q for Channel 1 / 2, with Priority Control for separate mode. +
- Integrated 2-channel IR Tuner for use with two IR Wireless Mic Transmitters.
- 5-input mixer (2 IR Mics, 3 x AUX in for PC, DVD Player & MP3 Player)
- ALD (Assisted Listening Device) Output with level control, provides aux feed to external systems.
- Mute Input allows connection of school paging signal for priority override of classroom audio (25V / 70V).



IR-801AF - Audio Interface Unit

- Audio Interface Unit; for use with IR-800 Plus tuners & speakers.
- Function button, allows the push button to act as a panic callback button to the office
- Analogue audio output and a contact output permits connecting with external equipment.
- Connects between the IR-802T Infrared Tuner & IR-820SP speaker.
- Simple CAT 5 connection to Speaker for fast, easy installation.



IR-801AF DQ version - PLUS system kits

- Infrared & Audio signal distributor to combine and separate classrooms. +
- Use with 1-4 mics and 1-2 speakers



IR-820SP Infrared Wireless Speaker

- Possible to use with Channel A / B / 1 / 2. +
- Integrated speaker/Amplifier & IR sensor allows easy installation with a single CAT 5 cable.
- Incorporates a highly efficient 20W Class D amplifier compact size, minimal power consumption and low heat.
- 360° IR sensor has extremely wide pickup area for reliable reception.
- Ultra wide-dispersion (170°) 5 coax speaker provides even coverage and intelligible sound throughout the room, without dead spots.
- Easy In-ceiling mounting with supplied reinforcement ring or on-ceiling with optional back can.
- UL-2043 rated for plenum installation.



IR-310M Infrared Wireless Microphone (for Teacher) with IR-310BC Battery Charger

- Toggle on side for mute all, with 802T Tuner (Plus Kit) +
- Used with either Channel A or 1 (IR-801AF DQ version) +
- Usable as hands-free or hand-held microphone
- 8-hour operation with single AA battery
- Function button for use in paging or external device control via IR-801AF
- Sturdy clothing clip to prevent wobbling during hands-free use



IR-200M Infrared Wireless Microphone for Student with IR-200 BC Battery Charger

- Possible to use with either Channel A / B / 1 / 2. +
- Hand-held microphone for speech use.
- PLL synthesized
- Infrared light emission intensity is adjustable at 2 levels.
- With rapid charging feature, up to 2 infrared microphones can be simultaneously charged in 3 hours (maximum).

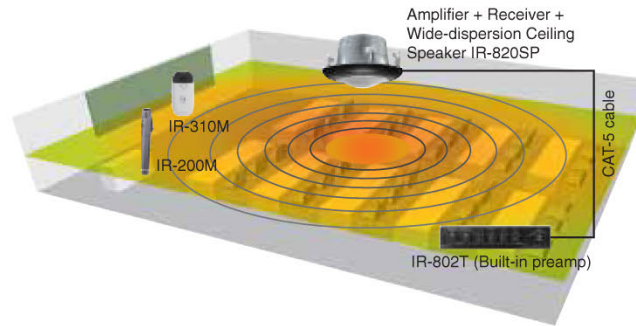


IR-210BT-2 2 x Rechargeable Ni-MH Batteries

- Batteries for IR-200M and IR-300M
- Ni-MH rechargeable battery (containing 2 pieces)
- 2400mAh



Quick and Easy Installation with Uniform sound quality throughout.



Classroom audio distribution systems (CADS), formerly known as sound field amplification systems, should be used, when appropriate, to achieve clearer speech signals (Larsen & Blair, 2008). With these systems, the signal level is greatly improved since only the voice at the microphone is amplified, not the background noise.

SAC, Speech-Language & Audiology Canada, SAC position paper on Classroom Acoustics, May 2019

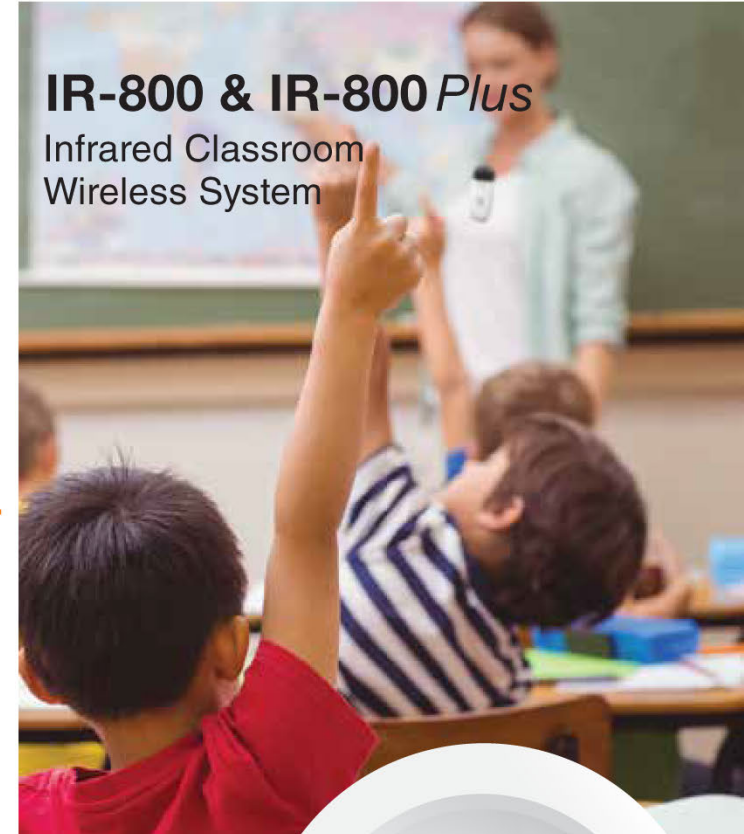


Evaluated and Approved IR-800 System



TOA Canada Corporation
1-800-263-7639
sales@toacanada.com
www.TOAcanda.com

IR-800 & IR-800 Plus Infrared Classroom Wireless System



**Enrich Your Students' Learning.
Experience Remarkably Clear,
Intelligible Classroom Communication.**

(Only with Plus System +)

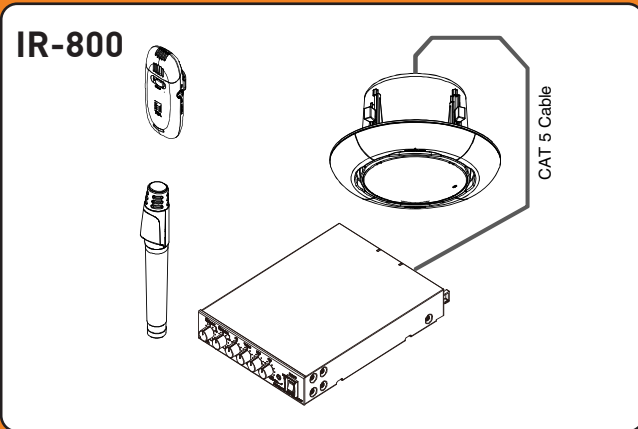
ELEVATE STUDENT SUCCESS AT ALL LEVELS OF EDUCATION



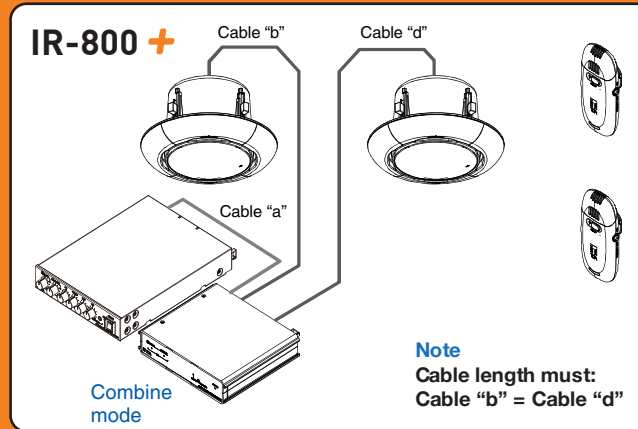
IR-800 & IR-800 Plus Configuration Examples

Ask for more details

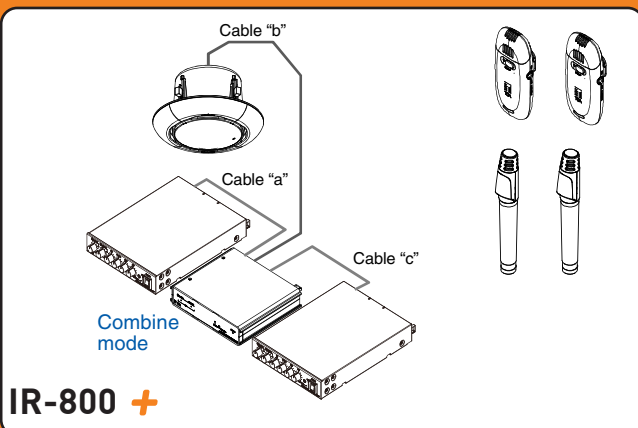
2 channel system for typical class room



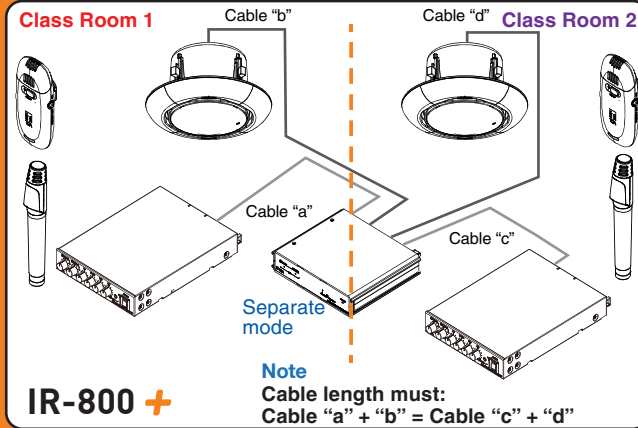
2 channel system for large class room



4 channel system for typical class room



2 channel system for dual zone class rooms



*Additional use: Combine Mode for
4 channel system for large class room

> Classroom Voice Lift

TOA Canada is a leader in Infrared Wireless Classroom voice lift with our IR-800 series. The system has become an accepted enhancement in education institutions as studies have shown they help boost student learning. TOA has now added the IR-800 *Plus* to its line up that significantly bolsters the systems capabilities and provides different classroom configuration options to meet school needs. TOA maintains the 2 channel, one classroom choice; however with the new IR-800 *Plus* system the possibilities of more microphones or two speakers and even two different classrooms is now available to school boards across the country.

The IR-800 and IR-800 Plus systems are both simple to use and easy to install and are UL 2043 – rated for installation in air-handling plenum spaces.

> Additional Sound Solutions

Gym/Auditorium Sound Wireless Microphones, Speakers and Amplifiers

Gyms are often used for a variety of needs including; sporting events, instructional training, theatrical performances, and visual presentations.



Paging

Microphone, Speakers and Amplifiers

Public Address (PA) is crucial in all educational facilities for morning announcements and communications.



Campus Communication and Safety

Intercom

Campus-wide monitoring, communications, broadcasting, and emergency notifications.

TOA's IP N-8000 Intercom System provides:

- Classroom communications
- Bell scheduling
- Door access
- Paging, emergency broadcast and voice alarm

